

Insert

P.O. Box 67 Mt. Hope, OH 44660

© 2008 Wayne-Dalton Corp. Part No. 335972 New 1/8/2008

This insert is to be used in conjunction with the main installation instructions and owner's manual.

www.wayne-dalton.com

Tools Needed:

Power Drill
1/8" Drill Bit
7/16" Socket Driver
Tape Measure

Cable Keepers

Carefully inspect the cables on your door. If they are worn, frayed or broken, contact a qualified door service company to replace the cables before installing the cable keepers.

⚠ WARNING

OPERATING A DOOR WITH FRAYED OR BROKEN COUNTERBALANCE CABLES CAN RESULT IN SEVERE OR FATAL INJURY.

CONTACT A QUALIFIED DOOR SERVICE COMPANY TO REPLACE FRAYED OR BROKEN CABLES BEFORE INSTALLING CABLE KEEPERS.

⚠ WARNING

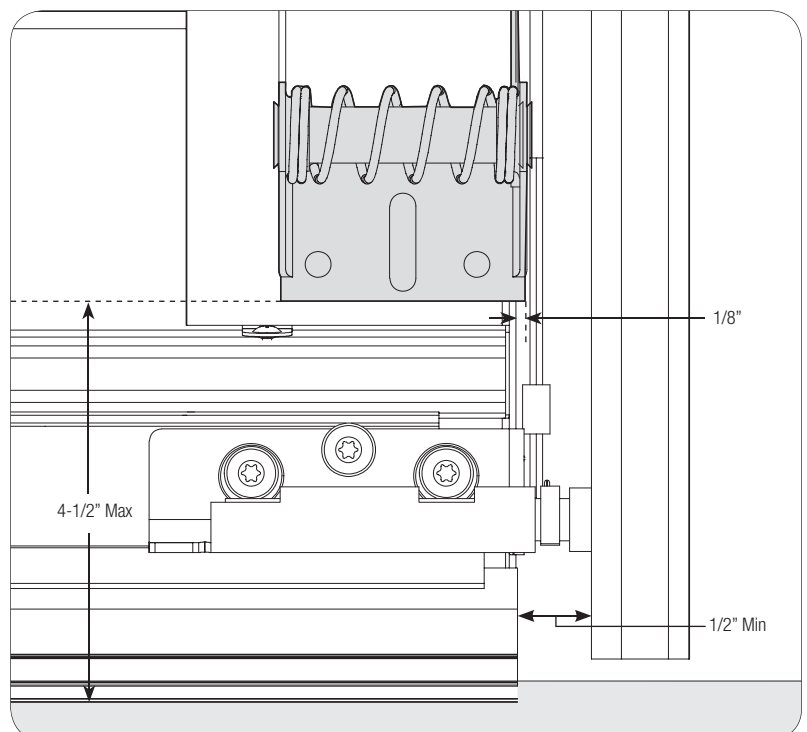
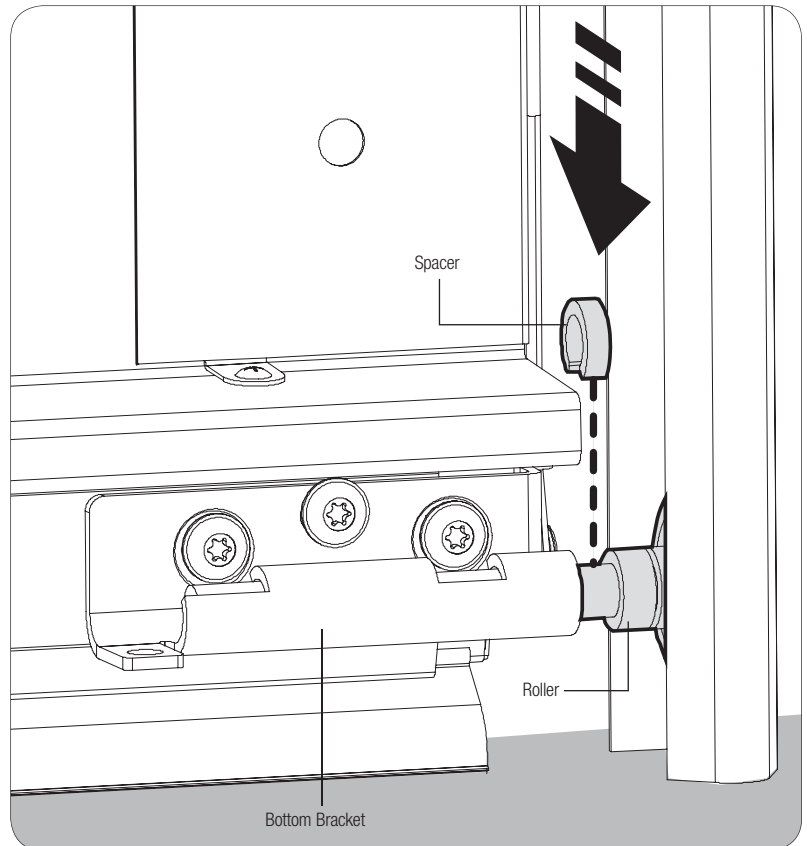
DO NOT ATTEMPT TO LOOSEN OR REMOVE BOTTOM BRACKETS. THEY ARE UNDER EXTREME SPRING TENSION AND CAN CAUSE SEVERE OR FATAL INJURY.

Push spacer on to the roller shaft between the bottom bracket and roller. Use an additional spacer if needed to achieve min. 1/2" clearance.

If there is less than 1/2" clearance, loosen the lag screws attaching the track to the wall and adjust the track for the 1/2" clearance. Re-tighten the lag screws.

Position the right hand (black) cable keeper assembly directly above the garage door bottom bracket. The cable keeper assembly must extend 1/8" past the end of the door section. Ensure there is no more than 4-1/2" from the bottom edge of the door to bottom of cable keeper.

IMPORTANT! Right and left hand is always determined from inside the building looking out.



Cable Keepers Continued

Fasten the cable keeper assemblies with (2) 1/4" x 11/16" self drilling screws (wood doors will use (2) 1/4" x 1" lag screws). Once the cable keeper assemblies are secured to the section, place the plastic sleeve over the counterbalance cable and then rotate the cable keeper arm upward and attach it to the plastic sleeve.

Repeat for the left hand (Red) cable keeper assembly.

Note: It is recommended that wood doors be pre-drilled with 1/8" pilot holes prior to fastening.

